

# GP500

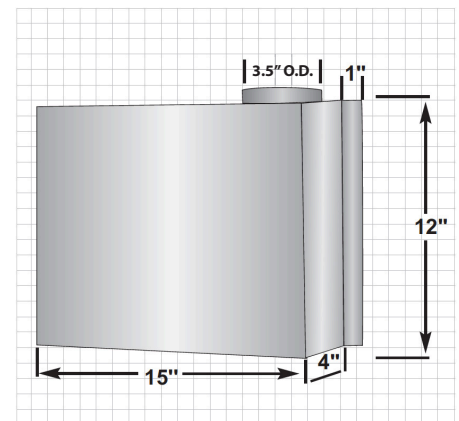
## RADON MITIGATION FANS

All RadonAway fans are specifically designed for radon mitigation. The GP500 is an attractive alternative to the inline tube fan. The flush mounting of the GP500 protrudes only 4" giving a neat, unobtrusive appearance. The electrical connection is inside the house.

## GP500 FEATURES

- Attractive alternative to inline tube fans
- Very quiet operation
- Two-year warranty
- Thermally protected
- High performance
- UV-stable white finish

MODEL	P/N	FAN DUCT DIAMETER	WATTS	RECOM. MAX. OP. PRESSURE "WC	TYPICAL CFM vs. STATIC PRESSURE WC				
					2.0"	2.5"	3.0"	3.5"	4.0"
GP500	23003-1	3"	85-153	3.8	51	45	35	18	2



**For Further Information, Contact Your Radon Professional:**